

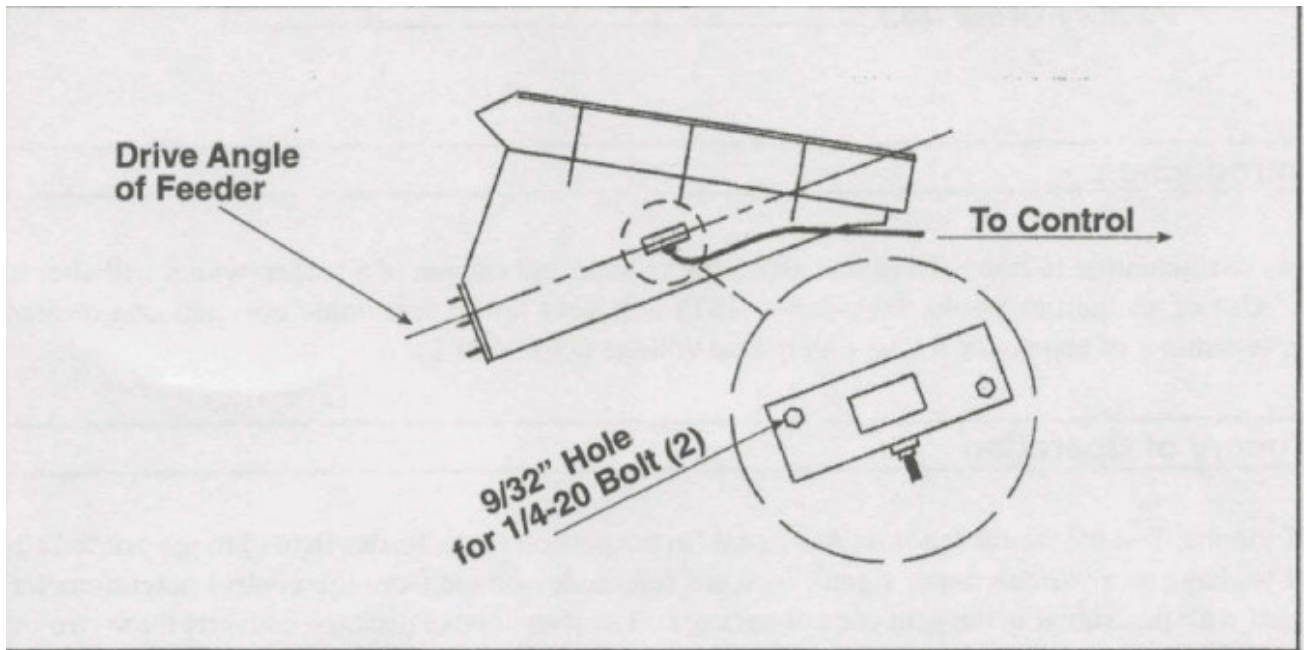
# Service Instructions

Syntron® ISTC185289  
Inertial Stroke Transducer



## Installation

1. Mount the IST with its lengthwise axis parallel to the drive angle of the feeder.
2. Mount the IST to the feeder wing plate, using the two mounting holes provided in the body of the case.  
NOTE: The IST must be mounted firmly in such a way as to prevent it from working loose. A loosely mounted IST will provide a false output signal.
3. Use flexible leads from the IST to the control. Use cable clamps to secure the cable leads to the feeder wing plate.



Syntron Material Handling LLC reserves the right to alter at any time, without notice and without liability or other obligations on its part, materials, equipment specifications and models. Syntron Material Handling LLC also reserves the right to discontinue the manufacture of models, parts, and components thereof.

# Syntron Material Handling

## Corporate Office

P.O. Box 1370

Tupelo, Mississippi 38802

Phone: 662.869.5711

Fax: 662.869.7449

3

**Syntron<sup>®</sup>**  
**Link-Belt<sup>®</sup>**

## Tupelo

2730 Hwy 145 South  
Saltillo, Mississippi 38866  
Phone: 662.869.5711  
Fax: 662.869.7493  
Toll Free: 800.356.4898  
info@syntronmh.com

## Changshu

#2 Road No. 1  
Changshu Export Processing  
Zone  
Changshu, Jiangsu, China  
215513  
Phone: +86 0512.52299002  
Fax: +86 0512.52297228  
info@syntronmh.com