

INSTALLATION

Install the control, being careful to maintain its UL TYPE 4X and NEMA 4 rating integrity. Power supply voltage and frequency requirements are designated on the control nameplate. If remote mounting is necessary, the control should be installed close to the equipment where it is easily accessible and within sight of the operator. Installation on a wall in a clean, dry, vibration-free location is recommended. Ambient temperature should not exceed 105°F (40°C).



WARNING: The electrical power supply connection to the control must be made through a customer-supplied safety disconnect switch, which must be mounted next to the control. Incorporation of an emergency stop may also be required, per local codes.

When making electrical connections, it is important to follow the wiring diagram supplied with the control. **CAUTION** Nonmetallic enclosure does not provide grounding between conduit connections. Use grounding bushings and jumper wires.



WARNING: The control must be properly grounded and verified at installation.

Enclosure integrity should be maintained at all times. Ensure any enclosure connectors used will maintain the UL or IEC rating of the supplied unit. Install enclosure lid gasket to maintain integrity rating.

OPERATION



WARNING: The control must be kept closed and secured while in operation.

After the control has been installed and all strain relief connections have been properly completed, the control is ready for operation. To energize the equipment, place the switch in the ON position. The potentiometer is used to control the vibration of the equipment. Turning the knob clockwise will increase the amplitude of vibration, and counterclockwise will decrease the amplitude of vibration.

MAINTENANCE



WARNING: Disconnect the power supply at the safety switch before performing any maintenance.

The only maintenance required is that the controller be kept reasonably clean.



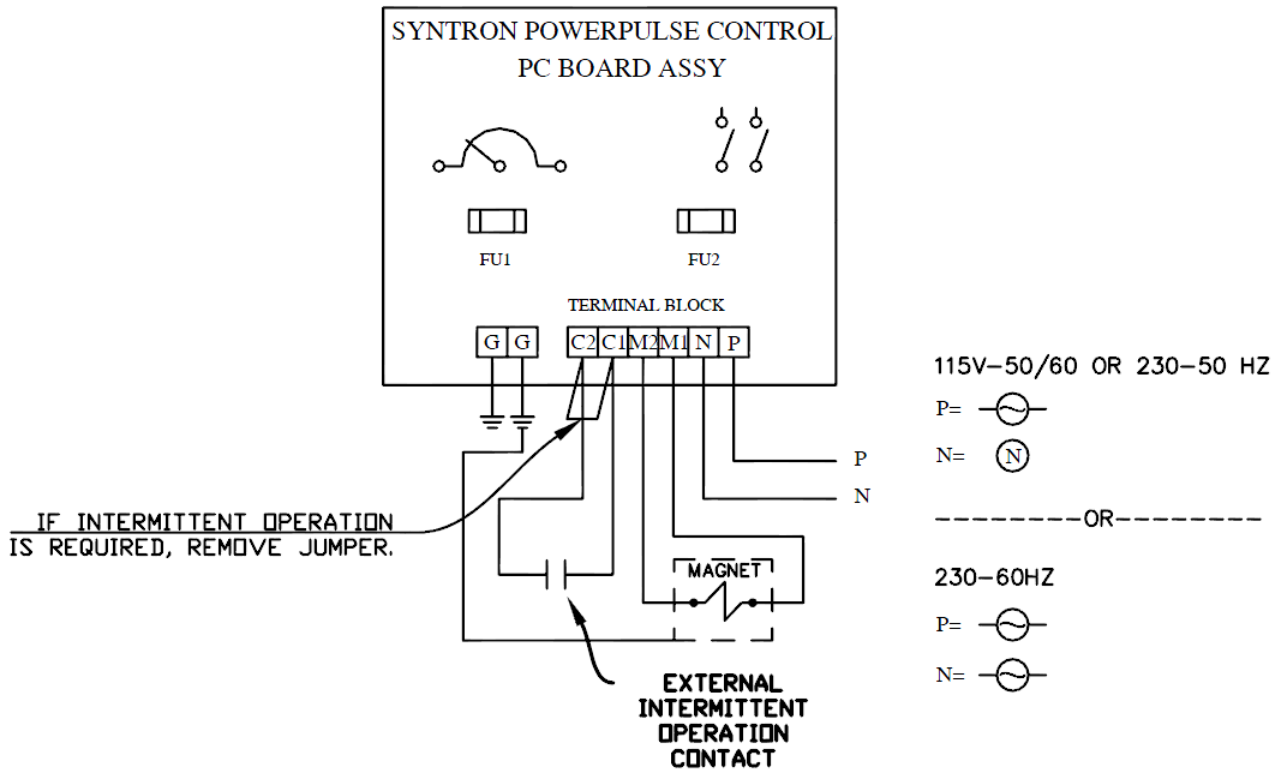
WARNING: Do not use a damp cloth or water for cleaning. Clean, dry compressed air is recommended for cleaning.

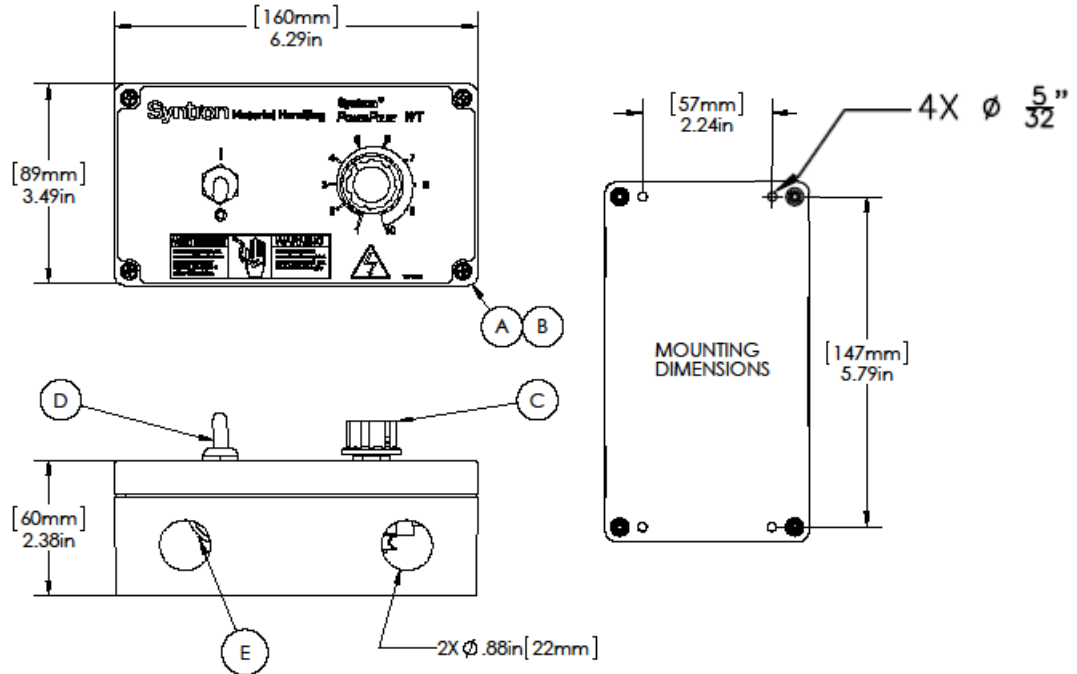
TROUBLESHOOTING

PROBLEM	CAUSE	CORRECTION
No power from the control.	Open fuse(s)	*Replace the fuse(s)
	Loose connection	Repair
	Defective PCB	*Replace PCB
	Jumper wire	Ensure C1 & C2 are closed/connected
No control of power from the control. Equipment runs at full capacity or with a weak hum. There is no definite stroke.	Defective PCB	*Replace PCB

*Replace only with parts recommended or supplied by SYNTRON.

WIRING DIAGRAM





PARTS LIST – 115V 50/60 HZ (7200-006-A) or 230V 60 HZ WT CONTROL (7200-006-B) or 230V 50 HZ WT CONTROL (7200-006-C)

Item	Description	Quantity	Part No.
A	Box Control	1	7220-015-A
B	Top Plate/Label ■	1	7220-006-001
C	Knob	1	0118X039
D	Switch Boot	1	0038X314
E	PCB Assembly 115V 50/60	1	7220-008-A
E	PCB Assembly 230V/60	1	7220-018-B
E	PCB Assembly 230V/50	1	7220-018-C
	Fuses 6A	1 or 2	0174X288

■ Do not remove or paint over safety labels. If safety labels need replaced, contact SYNTRON Material Handling for an additional supply free of charge.

Syntron Material Handling, LLC reserves the right to alter at any time, without notice and without liability or other obligations on its part, materials, equipment specifications and models. Syntron Material Handling, LLC also reserves the right to discontinue the manufacture of models, parts, and components thereof.

Syntron®
Link-Belt®

SYNTRON MH
2730 Hwy 145 South
Saltillo, Mississippi 3886
Phone: 662.869.5711
Fax: 662.869.7493
Toll Free: 800.356.4898
info@syntromh.com

Syntron[®]
Link-Belt[®]