

# Service Instructions

Syntron®  
Control  
Model:  
CSCR-1-C (230V)





**WARNING: The control must be properly grounded and verified at installation.**

Enclosure integrity should be maintained at all times. The control enclosure must not deviate from the supplied unit's UL or IEC rating.

## ■ OPERATION



**WARNING: The control cover must be kept closed and secured while the control is in operation.**

After the control is installed and all strain relief connections are properly completed, the control is ready for operation. To energize the equipment, place the switch in the ON position. Place the switch in the OFF position to stop operation of the equipment. The potentiometer is used to control the vibration of the equipment. Turning the knob clockwise will increase the amplitude of vibration, and counterclockwise will decrease the amplitude of vibration.

**NOTE:** Refer to the applicable operating instructions before operating the particular equipment.

## ■ MAINTENANCE



**WARNING: Disconnect and lock out the power supply at the safety disconnect switch before performing any maintenance work.**

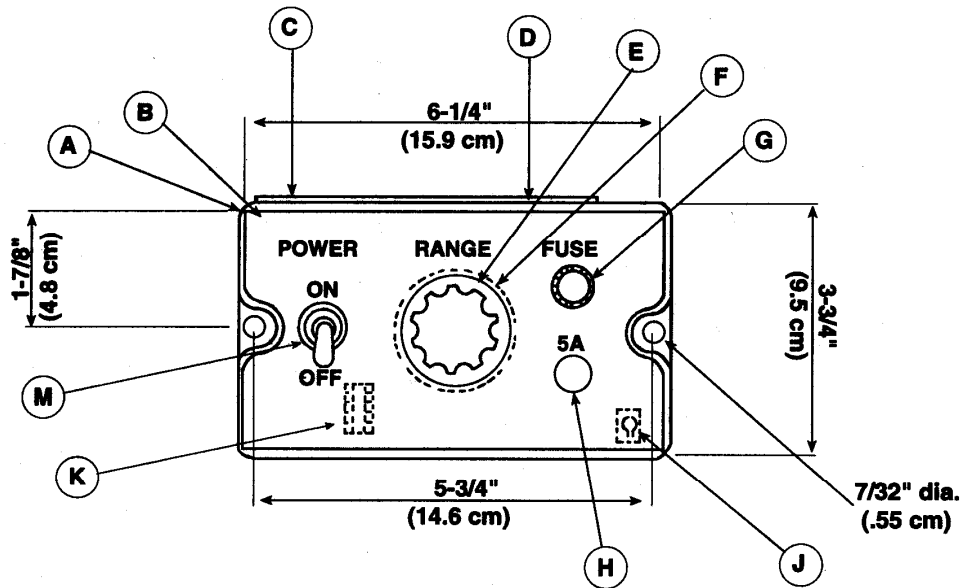
The only maintenance required is that the control be kept reasonably clean.



**WARNING: Do not use a damp cloth or water for cleaning. A clean, dry compressed air supply is recommended for cleaning.**

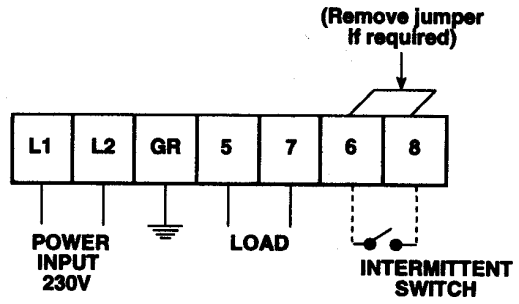
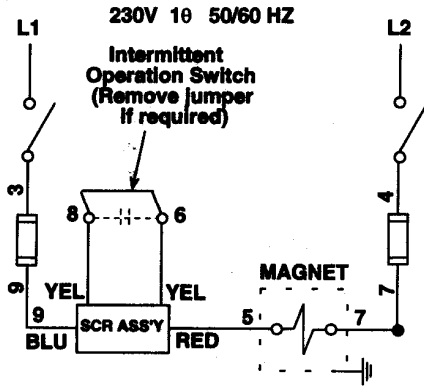
## ■ TROUBLESHOOTING

PROBLEM	CAUSE	CORRECTION
No power from the control	Open fuse	*Replace
	Loose connection	Repair
	Open SCR assembly	*Replace
No control of power from the control. Equipment operates at full power at all control settings.	Defective SCR Assembly	*Replace



ITEM	DESCRIPTION	QTY.	PART NO.
A	Box Assembly	1	B-134850
B	Top Plate	1	B-134857-01
	Control Panel Decal	1	A-129855
C	■ Nameplate	1	A-107438
D	■ Label, Caution	1	A-125694
E	Knob	1	0118X013
F	SCR-1-C Assembly (230V)	1	C-2210216-C
G	Fuseholder	1	0038X257
	Fuse (6A/250V)	1	0174X026
H	Holeplug	1	0188X009
J	Ground Terminal	1	0245X082
K	Terminal Block (7 pt.)	1	0173X034
M	Switch	1	0051X186

■ Do not remove or paint over safety labels. If safety labels need replaced, contact FMC Corporation for an additional supply free of charge.



\* Replace only with parts recommended or supplied by SMH.

## WIRING DIAGRAMS

# Important

Syntron Material Handling reserves the right to alter at any time, without notice and without liability or other obligations on its part, materials, equipment specifications, and models. Syntron Material Handling also reserves the right to discontinue the manufacture of models, parts, and components thereof.

**Your satisfaction is very important to us. Please direct any comments, questions, or concerns to our Marketing Communications Department.**

# Syntron Material Handling

## Corporate Office

P.O. Box 1370

Tupelo, Mississippi 38802

Phone: 662.869.5711

Fax: 662.869.7449

**Syntron®**  
**Link-Belt®**

## Tupelo

2730 Hwy 145 South  
Saltillo, Mississippi 38866

Phone: 662.869.5711

Fax: 662.869.7493

Toll Free: 800.356.4898

info@syntronmh.com

## Changshu

#2 Road No. 1

Changshu Export Processing Zone  
Changshu, Jiangsu, China 215513

Phone: +86 0512.52299002

Fax: +86 0512.52297228

info@syntronmh.com