



Heavy-Duty Electromagnetic Feeder Controls



Provide for adjustable and consistent material flow

EVF Series Controls are optimized for efficient operation and allow for a full range of material flow with a 10:1 turn-down ratio on electromagnetic feeders. The newly designed EVF line of feeder controls operate with single- or three-phase input providing half-wave (RC) output and are configured with custom firmware thus allowing for reduced power consumption.

Additional features of the new EVF product offering include precise voltage regulation, expanded DC control signals and PC / PLC communication including Ethernet IP, and improved diagnostic capability. Please reference the chart for model offerings or call one of our applications specialists at 1-800-356-4898 for additional



Heavy-Duty Electromagnetic Feeder Controls Features

- UL, CUL and CE Certifications
- Soft Start
- Communication Options include:
 - Modbus
 - Ethernet
 - Profibus
 - Digital / Analog Inputs
 - Digital / Analog Outputs

Return on Investment – Pays for itself upon installation



- Reduce the amperage by 85% utilizing PWM technology and a rectifier
- Design reduces KW consumption by 50%
- Reduced power grid installation cost
- Eliminates the reactive power losses - resulting in a reduction of up to 80% KVA requirement

Savings before startup include:




- Smaller transformers
- Smaller conductors (cables or wires)
- Smaller breakers
- Easier to install in MCC
- Less filtration and line conditioning required for other plant equipment
- Reduces the need for Power Factor Correction Equipment
- Easier to integrate with the latest technology for reduction in controls installation

Savings after startup include:

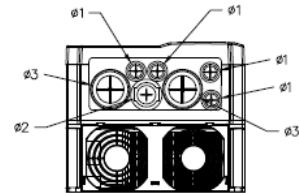
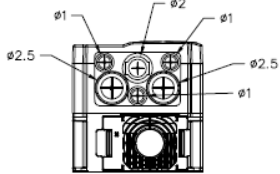
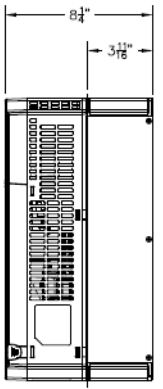
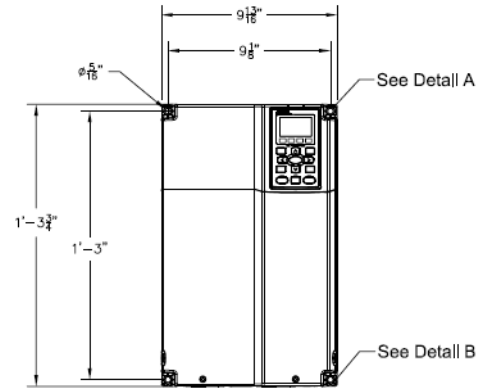
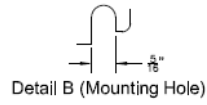
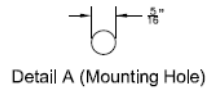
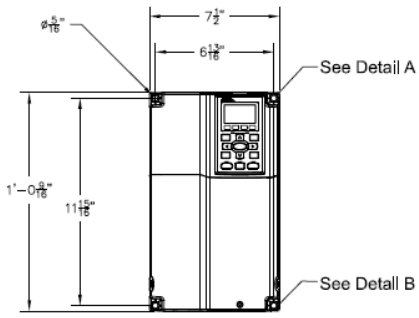
- Over a 50% reduction in energy consumed
- Better diagnostic capabilities to reduce maintenance time
- 100% voltage regulation for consistent production rates

Magnetic

Magnetic	Syntron Part Number Standard NEMA 1 Enclosure	Syntron Part Number NEMA 4 Enclosure*	Syntron Part Number NEMA 4X Stainless Steel Enclosure*	Syntron Amp Rating	Magnetic Modules Covered
EVF-10	7101-072-A	7101-073-A	7101-073-A1	28	F-22-D, FH-22C, FH-24, F-280, F-220
EVF-15	7101-072-B	7101-073-B	7101-073-B1	42	F-330, F-380
EVF-25	7101-072-C	7101-073-C	7101-073-C1	65	F-440, F-450, F-480, F-560, F-660, F-86
EVF-10	7101-070-A	7101-071-A	7101-071-A1	14	F-22-D, FH-22C, FH-24, F-280, F-220
EVF-15	7101-070-B	7101-071-B	7101-071-B1	20	F-330, F-380
EVF-25	7101-070-C	7101-071-C	7101-071-C1	32	F-440, F-450, F-480, F-560, F-660, F-86
EVF-40	7101-070-E	7101-071-E	7101-071-E1	50	F-380-2, F-330-3
EVF-60	7101-070-D	7101-071-D	7101-071-D1	75	F-88, F-380-4
EVF-100	7101-070-H	7101-071-H	7101-071-H1	120	F-480-3
EVF-5	7101-074-A	7101-075-A	7101-075-A1	7	F-22-D, FH-22C, FH-24, F-280, F-220
EVF-15	7101-074-B	7101-075-B	7101-075-B1	17	F-330, F-380
EVF-30	7101-074-C	7101-075-C	7101-075-C1	30	F-440, F-450, F-480, F-560, F-660, F-86
EVF-40	7101-074-E	7101-075-E	7101-075-E1	38	F-380-2, F-380-3
EVF-75	7101-074-D	7101-075-D	7101-075-D1	73	F-88, F-380-4
EVF-125	7101-074-H	7101-075-H	7101-075-H1	106	F-480-3

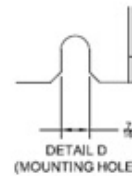
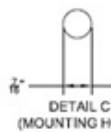
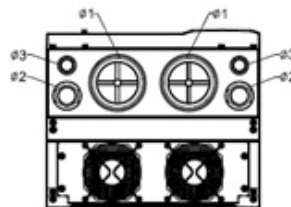
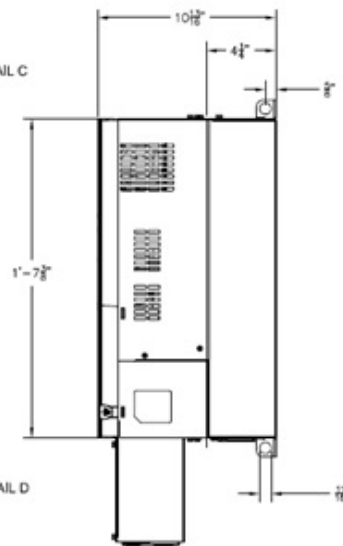
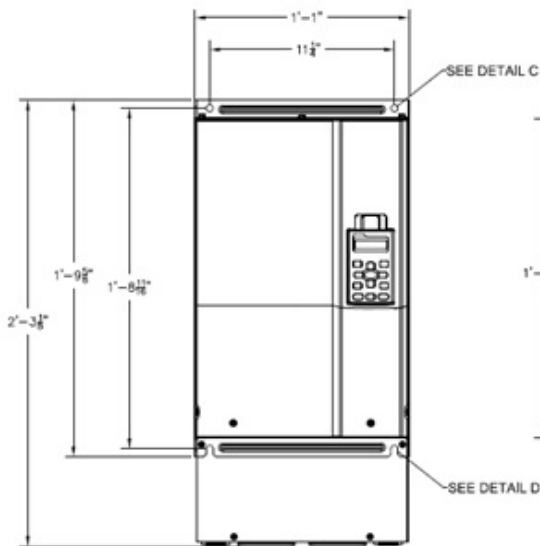
	200-240 Volt
	380-480 Volt
	575-600 Volt

*Consult Factory for Enclosure Dimensions



MODELS EVF-10D2
EVF-15D2
EVF-20D2

MODELS EVF-25D2
EVF-30D2
EVF-40D2



MODELS EVF-60D2
EVF-100D2

Syntron Material Handling

Corporate Office

P.O. Box 1370

Tupelo, Mississippi 38802

Phone: 662.869.5711

Fax: 662.869.7449

Proven Engineered Products – Complete Material Handling Solutions

Syntron®

Link-Belt®

Saltillo

2730 Hwy 145 South

Saltillo, Mississippi 38866

Phone: 662.869.5711

Fax: 662.869.7493

Toll Free: **800.356.4898**

info@syntronmh.com



Front cover image is
courtesy of Aggregates Manager